



TEL: 800-870-0852  
 FAX: 888-707-0679  
 E-MAIL: SALES@THERMACTIVE.COM

# ThermActive ELECTRONICS

## Ø180x85mm BA180-85T Series AC Centrifugal Fan



### Specification:

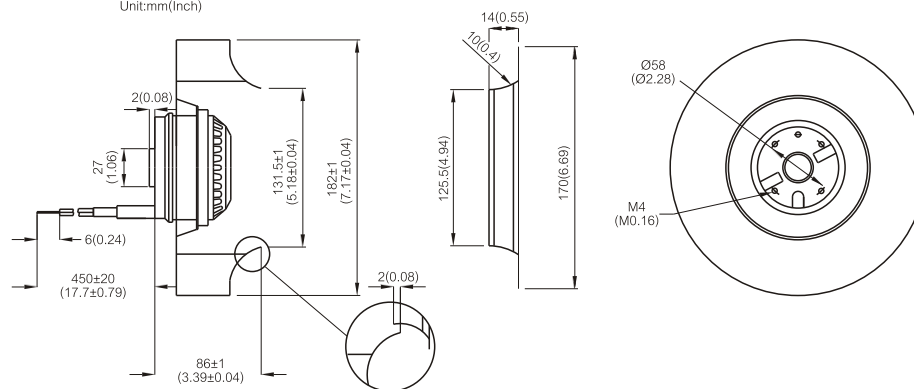
Air Flow	387 ~ 426 CFM
Impeller	Plastic PA (Polyamide Glass-fiber Reinforced)
Motor	Capacitor-Run Induction and External Rotor Motor
Rotor	Black Paint
Bearing	Dual Ball Bearing, Permanently Lubricated
Operating Voltage Range	85VAC to 125VAC for 115V Type 185VAC to 245 VAC for 230V Type
Lead Wire	AWG# 18 UL
Insulation	Class "B" or "F"
Safety	Thermally Protected (Auto Restart)
Operating Temperature	-20°C to +70°C
Weight	1370g



Item Code	Rated Voltage	Frequency (Hz)	Rated Current(A)	Input Power(W)	Speed (RPM)	Air Flow (CFM)	Air Flow (m³/min)	Static Pressure (inch-H <sub>2</sub> O)	Noise dB(A)	Capacitor (µF)
BA1V180-85T-FPA-B7-2C	115V	50/60	0.66/0.80	73/91	2550/2800	387/426	11/12.1	1.22/1.58	62/64	8µF 200VAC
BA2V180-85T-FPA-B7-2C	230V	50/60	0.34/0.40	74/92	2550/2800	389/426	11/12.1	1.24/1.59	62/64	2µF 400VAC

### Outline Drawing:

Unit:mm(Inch)



### Characteristic Curves:

