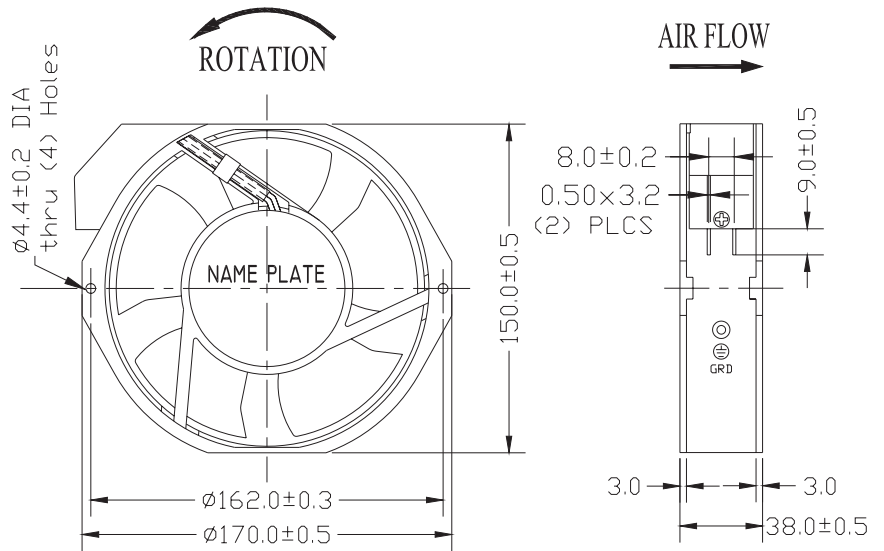
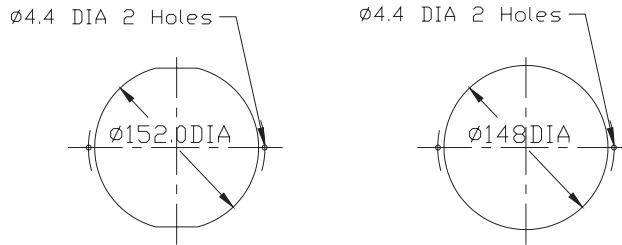




ThermActive
ELECTRONICS



Size: 172mmx150mmx38mm
 Airflow: 248~336m³/hr
 146~198CFM
 Weight: 760g
 Noise: 55~61dBA
 Impeller: PA6 UL94V-0 Reinforced Plastic
 Frame: Aluminum Alloy
 Terminals: 0.5mm
 Lead Wire: AWG#22 UL 1015
 (Optional)
 Motor: Capacitor-Run Induction Motor
 Safety: UL.CUL.TUV.CE
 Operation Temperature: -10°C~+70°C



Inlet

Outlet

Unit:mm

Model	Bearing System	Voltage VAC	Freq. Hz	Current A	Power W	Speed RPM	Noise dBA	Air Flow		Static Pressure (mmH ₂ O)	Weight Gram
								M ³ /hr	CFM		
RAH1738B1-C	Ball	220~240	50/60	0.16/0.17	36/35	2850/3400	57/61	282/336	166/198	16.7/19.5	760
RAM1738B1-C		220~240	50/60	0.11/0.12	28/29	2500/2800	55/58	248/280	146/165	12/12	
RAH1738B2-C		100~125	50/60	0.25/0.26	30/31	2850/3400	57/61	282/336	166/198	16.7/19.5	
RAM1738B2-C		100~125	50/60	0.17/0.18	28/29	2500/2800	55/58	248/280	146/165	12/12	

