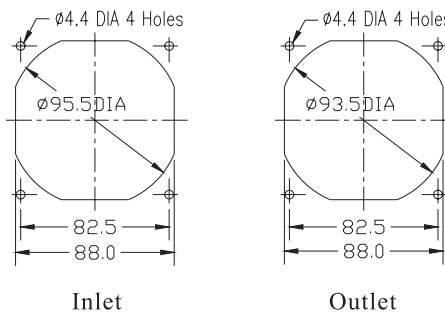
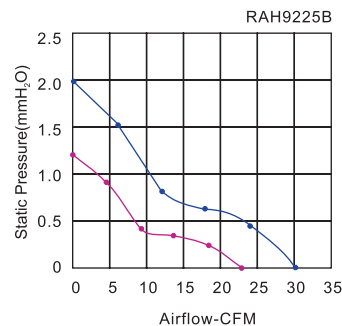
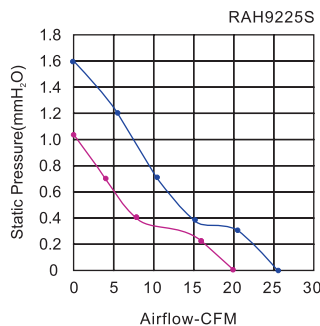
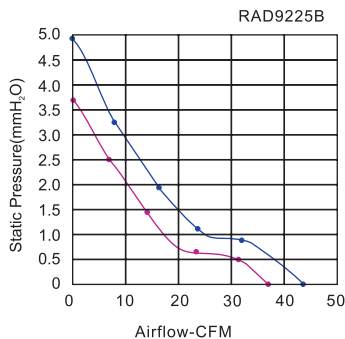


Size: 92mmx92mmx25mm
 Airflow: 33~65m³/hr
 20~38CFM
 Weight: 240g
 Noise: 20~26dBA
 Impeller: PA6 UL94V-0 Reinforced Plastic
 Frame: Aluminum Alloy
 Terminals: 0.5mm
 Lead Wire: AWG#22 UL 1430
 (Optional)
 Motor: Shaded Pole Induction Motor
 Safety: UL.CUL.TUV.CE
 Operation Temperature: -10°C~+70°C



Unit:mm

Model	Bearing System	Voltage VAC	Freq. Hz	Current A	Power W	Speed RPM	Noise dBA	Air Flow		Static Pressure (mmH ₂ O)	Weight Gram
								M ³ /hr	CFM		
RAH9225S1	Sleeve	220~240	50/60	0.1	13/11	1300/1700	20/23	33/43	20/26	1.0/1.6	240
RAH9225S2		100~125	50/60	0.13	13/11	1300/1700	20/23	33/43	20/26	1.0/1.6	
RAD9225B1	Ball	220~240	50/60	0.1	13/11	2300/2700	34/38	63/75	37/44	3.7/4.9	
RAH9225B1		220~240	50/60	0.1	13/11	1400/1900	22/26	37/50	22/30	1.2/1.9	
RAD9225B2		100~125	50/60	0.13	13/11	2300/2700	34/38	63/75	37/44	3.7/4.9	
RAH9225B2		100~125	50/60	0.13	13/11	1400/1900	22/26	37/50	22/30	1.2/1.9	



Key
 — 60Hz
 — 50Hz