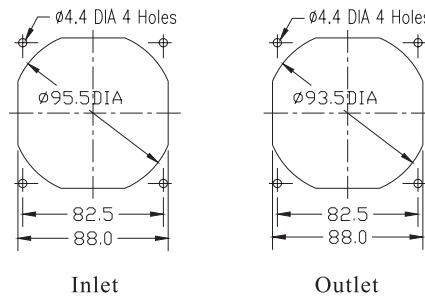
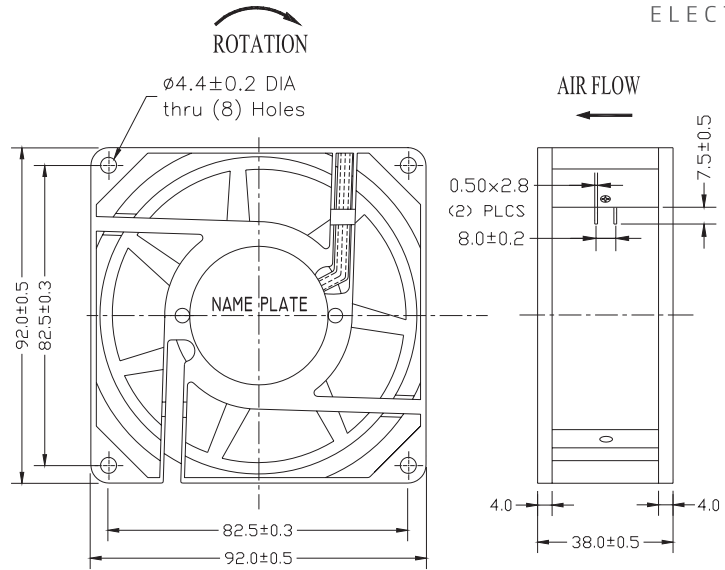


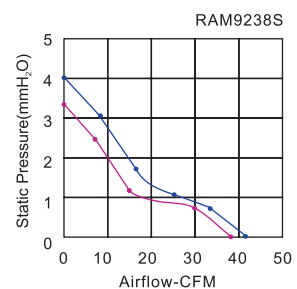
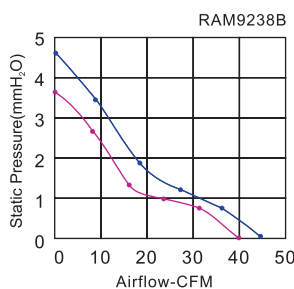
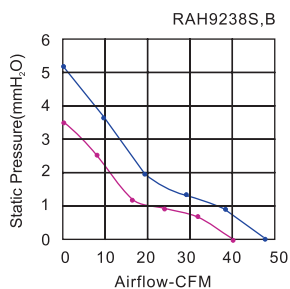
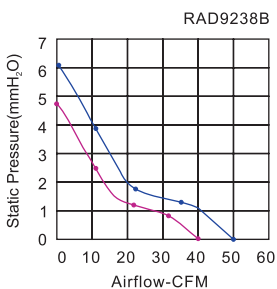


Size: 92mmx92mmx38mm
 Airflow: 63~85m³/hr
 37~50CFM
 Weight: 350g
 Noise: 25~35dBA
 Impeller: PA6 UL94V-0 Reinforced Plastic
 Frame: Aluminum Alloy
 Terminals: 0.5mm
 Lead Wire: AWG#22 UL 1430
 (Optional)
 Motor: Shaded Pole Induction Motor
 Safety: UL.CUL.TUV.CE
 Operation Temperature: -10°C~+70°C



Unit:mm

| Model | Bearing System | Voltage VAC | Freq. Hz | Current A | Power W | Speed RPM | Noise dBA | Air Flow | | Static Pressure (mmH ₂ O) | Weight Gram |
|-----------|----------------|-------------|----------|-----------|---------|-----------|-----------|--------------------|-------|--------------------------------------|-------------|
| | | | | | | | | M ³ /hr | CFM | | |
| RAH9238S1 | Sleeve | 220~240 | 50/60 | 0.10/0.08 | 17/13 | 2350/2750 | 26/31 | 66/78 | 39/46 | 3.6/5.2 | 350 |
| RAM9238S1 | | 220~240 | 50/60 | 0.07/0.06 | 11/8 | 2200/2500 | 25/27 | 63/70 | 37/41 | 3.3/4.0 | |
| RAH9238S2 | | 100~125 | 50/60 | 0.23/0.18 | 17/13 | 2350/2750 | 26/31 | 66/78 | 39/46 | 3.6/5.2 | |
| RAM9238S2 | | 100~125 | 50/60 | 0.12/0.09 | 9/7 | 2200/2500 | 25/27 | 63/70 | 37/41 | 3.3/4.0 | |
| RAD9238B1 | Ball | 220~240 | 50/60 | 0.10/0.08 | 17/13 | 2600/3000 | 31/35 | 72/85 | 42/50 | 4.5/6.1 | |
| RAH9238B1 | | 220~240 | 50/60 | 0.10/0.08 | 17/13 | 2350/2750 | 27/32 | 66/78 | 39/46 | 3.6/5.2 | |
| RAM9238B1 | | 220~240 | 50/60 | 0.07/0.06 | 11/8 | 2250/2600 | 26/28 | 65/75 | 38/44 | 3.7/4.6 | |
| RAD9238B2 | | 100~125 | 50/60 | 0.23/0.18 | 17/13 | 2600/3000 | 31/35 | 72/85 | 42/50 | 4.5/6.1 | |
| RAH9238B2 | | 100~125 | 50/60 | 0.23/0.18 | 17/13 | 2350/2750 | 27/32 | 66/78 | 39/46 | 3.6/5.2 | |
| RAM9238B2 | | 100~125 | 50/60 | 0.12/0.09 | 9/7 | 2250/2600 | 26/28 | 65/75 | 38/44 | 3.7/4.6 | |



Key
 — 60Hz
 — 50Hz