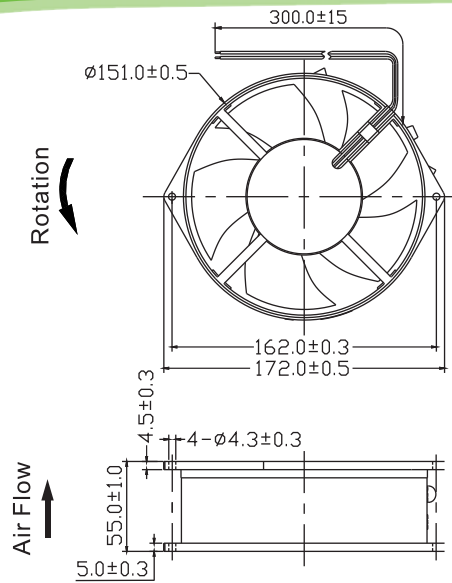


Ø 151x55mm



**ThermActive**  
ELECTRONICS



Unit: mm

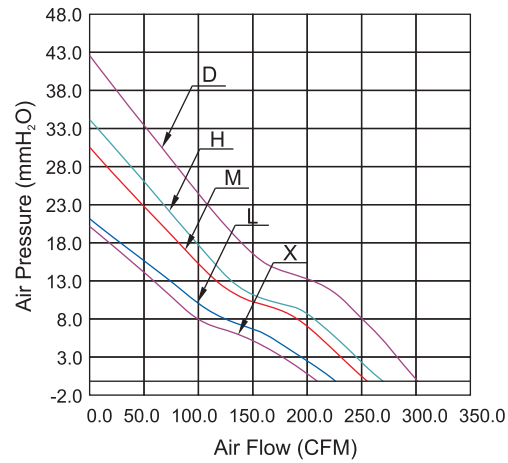
**General Specification:**

- Frame : Aluminum Alloy
- Impeller : Thermal Plastic , UL 94V-2
- Lead Wires : UL Type  
(+) : Red (-) : Black
- Operation Temperature : -10°C ~ 70°C、  
35% ~ 85%RH
- Storage Temperature : -40°C ~ 80°C、  
35% ~ 85%RH

**Motor Protection:**

- Impedance Protected
- Reverse Polarity Protected

**Performance Curves**



Listed Model	Bearing System	Rated Voltage	Operation Voltage	Rated Current	Rated Speed	Air Flow	Air Pressure	Noise Level	Available Features (Optional)				Weight	
		VDC	VDC	A	RPM	CFM	mmH <sub>2</sub> O	dBA	Tachometer Output	Rotation Detector	Thermal Control	Pulse Width Modulation	g	
RDH1555S1-5	Sleeve	12	9.0~13.8	3.50	3,800	255.8	30.7	60	•	•		•	765	
RDM1555S1-5			9.0~13.8	2.40	3,400	225.8	21.1	58	•	•		•		
RDL1555S1-5	9.0~13.8		1.70	3,100	209.4	20.2	54	•	•		•			
RDH1555B1-5	Ball		9.0~13.8	3.50	3,800	255.8	30.7	60	•	•		•		
RDM1555B1-5			9.0~13.8	2.40	3,400	225.8	21.1	58	•	•		•		
RDL1555B1-5	9.0~13.8		1.70	3,100	209.4	20.2	54	•	•		•			
RDD1555S2-5	Sleeve	24	15.0~27.6	2.30	4,500	301.6	42.6	65	•	•		•		
RDH1555S2-5			15.0~27.6	1.80	4,000	270.0	34.2	62	•	•		•		
RDM1555S2-5			15.0~27.6	1.40	3,800	255.8	30.7	60	•	•		•		
RDL1555S2-5			15.0~27.6	0.95	3,400	225.8	21.1	58	•	•		•		
RDX1555S2-5			15.0~27.6	0.70	3,100	209.4	20.2	54	•	•		•		
RDD1555B2-5			Ball	15.0~27.6	2.30	4,500	301.6	42.6	65	•	•			•
RDH1555B2-5	15.0~27.6			1.80	4,000	270.0	34.2	62	•	•		•		
RDM1555B2-5	15.0~27.6			1.40	3,800	255.8	30.7	60	•	•		•		
RDL1555B2-5	15.0~27.6			0.95	3,400	225.8	21.1	58	•	•		•		
RDX1555B2-5	15.0~27.6			0.70	3,100	209.4	20.2	54	•	•		•		
RDD1555S4-5	Sleeve			48	24.0~55.2	1.20	4,500	301.6	42.6	65	•	•		
RDH1555S4-5			24.0~55.2		0.75	4,000	270.0	34.2	62	•	•			•
RDM1555S4-5		24.0~55.2	0.60		3,800	255.8	30.7	60	•	•		•		
RDL1555S4-5		24.0~55.2	0.50		3,400	225.8	21.1	58	•	•		•		
RDX1555S4-5		24.0~55.2	0.40		3,100	209.4	20.2	54	•	•		•		
RDD1555B4-5		Ball	24.0~55.2		1.20	4,500	301.6	42.6	65	•	•		•	
RDH1555B4-5	24.0~55.2		0.75		4,000	270.0	34.2	62	•	•		•		
RDM1555B4-5	24.0~55.2		0.60		3,800	255.8	30.7	60	•	•		•		
RDL1555B4-5	24.0~55.2		0.50		3,400	225.8	21.1	58	•	•		•		
RDX1555B4-5	24.0~55.2		0.40		3,100	209.4	20.2	54	•	•		•		

Notes: ©All readings are typical values at rated voltage.  
©Specifications are subjected to change without prior notice.