



TEL: 800-870-0852  
 FAX: 888-707-0679  
 E-MAIL: SALES@THERMACTIVE.COM

# ThermActive ELECTRONICS

## Ø155x110mm BA155-110T Series AC Centrifugal Fan



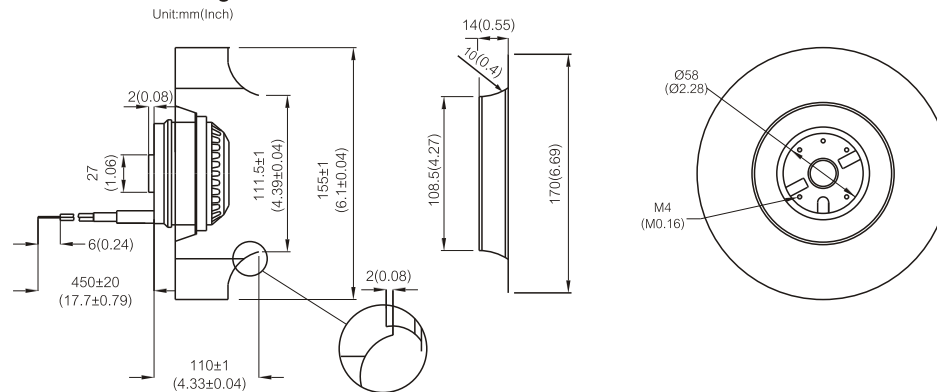
### Specification:

Air Flow	282 ~ 318 CFM
Impeller	Plastic PA (Polyamide Glass-fiber Reinforced)
Motor	Capacitor-Run Induction and External Rotor Motor
Rotor	Black Paint
Bearing	Dual Ball Bearing, Permanently Lubricated
Operating Voltage Range	85VAC to 125VAC for 115V Type 185VAC to 245 VAC for 230V Type
Lead Wire	AWG# 18 UL
Insulation	Class "B" or "F"
Safety	Thermally Protected (Auto Restart)
Operating Temperature	-20°C to +70°C
Weight	1250g



Item Code	Rated Voltage	Frequency (Hz)	Rated Current(A)	Input Power(W)	Speed (RPM)	Air Flow (CFM)	Air Flow (m³/min)	Static Pressure (inch-H <sub>2</sub> O)	Noise dB(A)	Capacitor (µF)
BA1V155-110T-FPA-B7-2C	115V	50/60	0.34/0.36	35/42	2640/2980	282/318	8.0/9.0	0.90/1.20	61/64	4µF 200VAC
BA2V155-110T-FPA-B7-2C	230V	50/60	0.17/0.19	34/41	2660/2990	282/318	8.0/9.0	0.90/1.20	61/64	1µF 400VAC

### Outline Drawing:



### Characteristic Curves:

