



TEL: 800-870-0852  
 FAX: 888-707-0679  
 E-MAIL: SALES@THERMACTIVE.COM

# ThermActive ELECTRONICS

## Ø175x84mm BA175-84T Series AC Centrifugal Fan



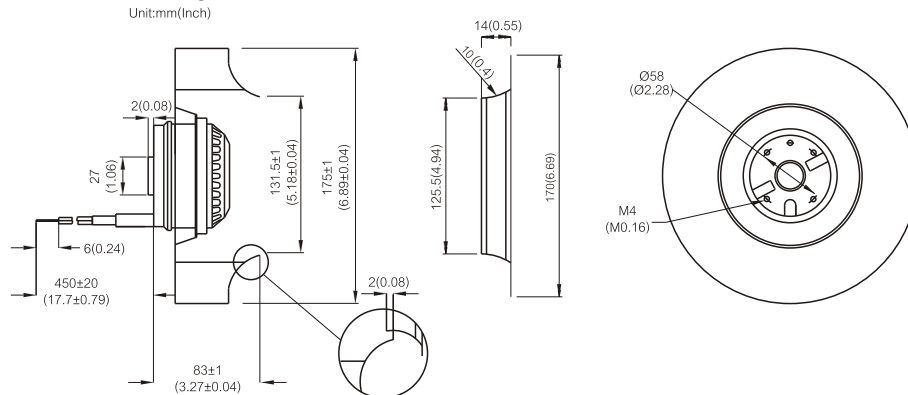
### Specification:

Air Flow	348 ~ 389 CFM
Impeller	Plastic PA (Polyamide Glass-fiber Reinforced)
Motor	Capacitor-Run Induction and External Rotor Motor
Rotor	Black Paint
Bearing	Dual Ball Bearing, Permanently Lubricated
Operating Voltage Range	85VAC to 125VAC for 115V Type 185VAC to 245 VAC for 230V Type
Lead Wire	AWG# 18 UL
Insulation	Class "B" or "F"
Safety	Thermally Protected (Auto Restart)
Operating Temperature	-20°C to +70°C
Weight	1280g



Item Code	Rated Voltage	Frequency (Hz)	Rated Current(A)	Input Power(W)	Speed (RPM)	Air Flow (CFM)	Air Flow (m³/min)	Static Pressure (inch-H <sub>2</sub> O)	Noise dB(A)	Capacitor (µF)
BA1V175-84T-FPA-B7-2C	115V	50/60	0.45/0.49	48/57	2540/2820	348/389	9.9/11.0	1.07/1.44	63/67	5µF 200VAC
BA2V175-84T-FPA-B7-2C	230V	50/60	0.24/0.25	51/58	2540/2840	348/389	9.9/11.0	1.07/1.44	63/67	1.5µF 400VAC

### Outline Drawing:



### Characteristic Curves:

