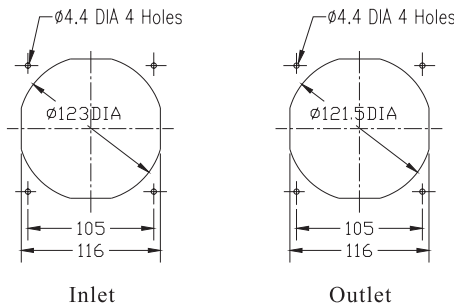
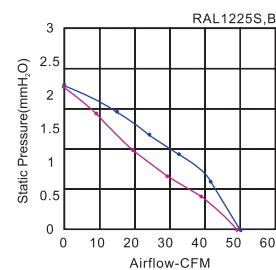
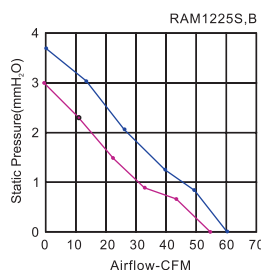
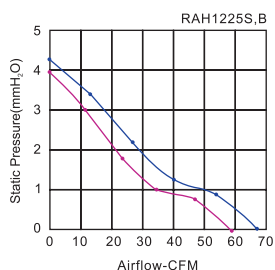
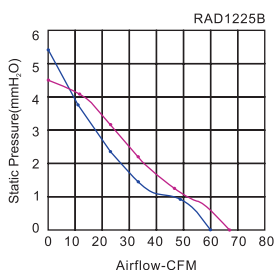


Size: 120mmx120mmx25mm
 Airflow: 85~129m³/hr
 50~76CFM
 Weight: 370g
 Noise: 31~39dBA
 Impeller: PA6 UL94V-0 Reinforced Plastic
 Frame: Aluminum Alloy
 Terminals: 0.5mm
 Lead Wire: AWG#22 UL 1430
 (Optional)
 Motor: Shaded Pole Induction Motor
 Safety: UL.CUL.TUV.CE
 Operation Temperature: -10°C~+70°C

Unit:mm



Model	Bearing System	Voltage VAC	Freq. Hz	Current A	Power W	Speed RPM	Noise dBA	Air Flow		Static Pressure (mmH ₂ O)	Weight Gram
								M ³ /hr	CFM		
RAH1225S1	Sleeve	220~240	50/60	0.07	14/13	2150/2450	34/39	100/115	59/68	4.0/4.3	370
RAM1225S1		220~240	50/60	0.06	11/10	2000/2200	33/34	94/102	55/60	3.0/3.7	
RAL1225S1		220~240	50/60	0.05	9/8	1800/1800	31/31	85/85	50/50	2.2/2.2	
RAH1225S2		100~125	50/60	0.17	14/13	2150/2450	34/39	100/115	59/68	4.0/4.3	
RAM1225S2		100~125	50/60	0.13	11/10	2000/2200	33/34	94/102	55/60	3.0/3.7	
RAL1225S2		100~125	50/60	0.09	9/8	1800/1800	31/31	85/85	50/50	2.2/2.2	
RAD1225B1	Ball	220~240	50/60	0.07	16/14	2450/2700	39/41	115/129	68/76	5.4/5.1	
RAH1225B1		220~240	50/60	0.07	14/13	2150/2450	34/39	100/115	59/68	4.0/4.3	
RAM1225B1		220~240	50/60	0.06	11/10	2000/2200	33/34	94/102	55/60	3.0/3.7	
RAL1225B1		220~240	50/60	0.05	9/8	1800/1800	31/31	85/85	50/50	2.2/2.2	
RAD1225B2		100~125	50/60	0.07	16/14	2450/2700	39/41	115/129	68/76	5.4/5.1	
RAH1225B2		100~125	50/60	0.17	14/13	2150/2450	34/39	100/115	59/68	4.0/4.3	
RAM1225B2		100~125	50/60	0.13	11/10	2000/2200	33/34	94/102	55/60	3.0/3.7	
RAL1225B2		100~125	50/60	0.09	9/8	1800/1800	31/31	85/85	50/50	2.2/2.2	



Key
 — 60Hz
 — 50Hz