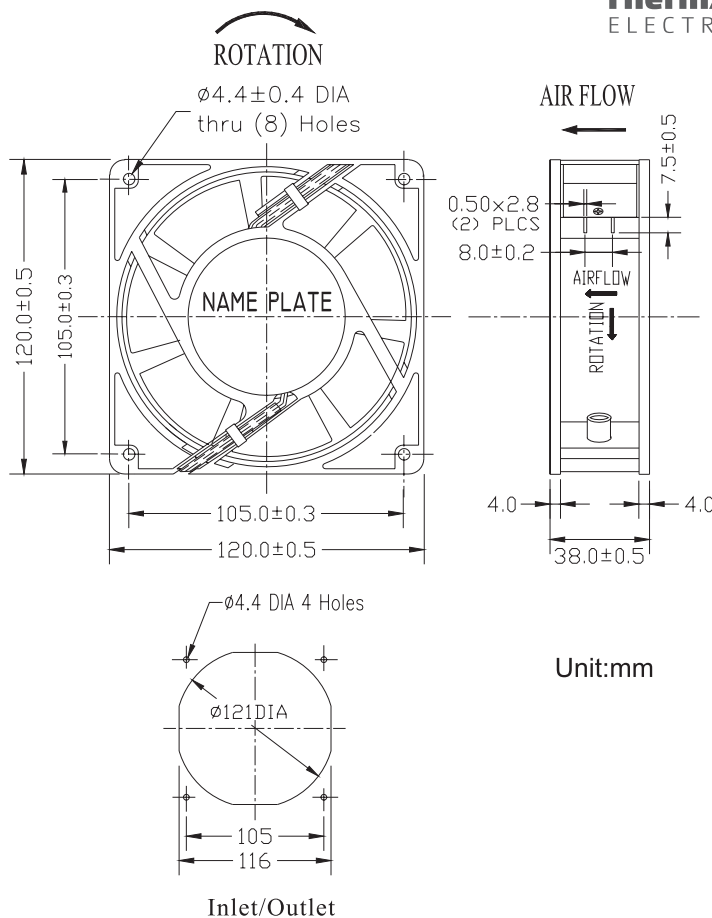


AC 1238-C SERIES AXIAL FAN

(High Air Flow) (7 Plastic Blade)

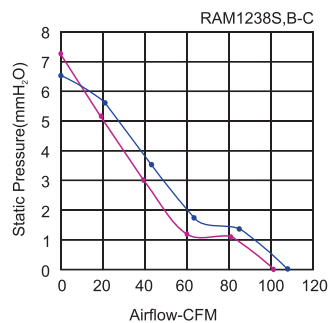
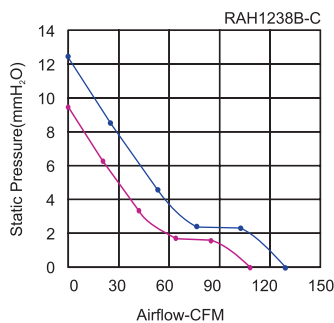
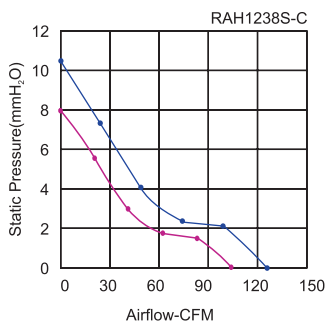


ThermActive
ELECTRONICS



Size: 120mmx120mmx38mm
 Airflow: 177~221m³/hr
 104~130CFM
 Weight: 504g
 Noise: 39~47dBA
 Impeller: PA6 UL94V-0 Reinforced Plastic
 Frame: Aluminium Alloy
 Terminals: 0.5mm
 Lead Wire: AWG#24 UL 1430
 (Optional)
 Motor: Capacitor-Run Induction Motor
 Safety: UL.CUL.TUV.CE
 Operation Temperature: -10°C~+65°C

Model	Bearing System	Voltage VAC	Freq. Hz	Current A	Power W	Speed RPM	Noise dBA	Air Flow		Static Pressure (mmH ₂ O)	Weight Gram
								M ³ /hr	CFM		
RAH1238S1-C	Sleeve	220~240	50/60	0.10/0.11	21/21	2650/3100	42/45	180/214	106/126	8.2/10.6	504
RAM1238S1-C		220~240	50/60	0.08/0.09	11/12	2550/2800	39/43	177/185	104/109	7.3/6.5	
RAH1238S2-C		100~125	50/60	0.17/0.18	22/22	2650/3100	42/45	180/214	106/126	8.2/10.6	
RAM1238S2-C		100~125	50/60	0.15/0.16	11/12	2550/2800	39/43	177/185	104/109	7.3/6.5	
RAH1238B1-C	Ball	220~240	50/60	0.10/0.11	21/21	2800/3300	43/47	185/221	109/130	9.6/12.5	
RAM1238B1-C		220~240	50/60	0.08/0.09	11/12	2550/2800	39/43	177/185	104/109	7.3/6.5	
RAH1238B2-C		100~125	50/60	0.17/0.18	22/22	2800/3300	43/47	185/221	109/130	9.6/12.5	
RAM1238B2-C		100~125	50/60	0.15/0.16	11/12	2550/2800	39/43	177/185	104/109	7.3/6.5	



Key
 — 60Hz
 — 50Hz